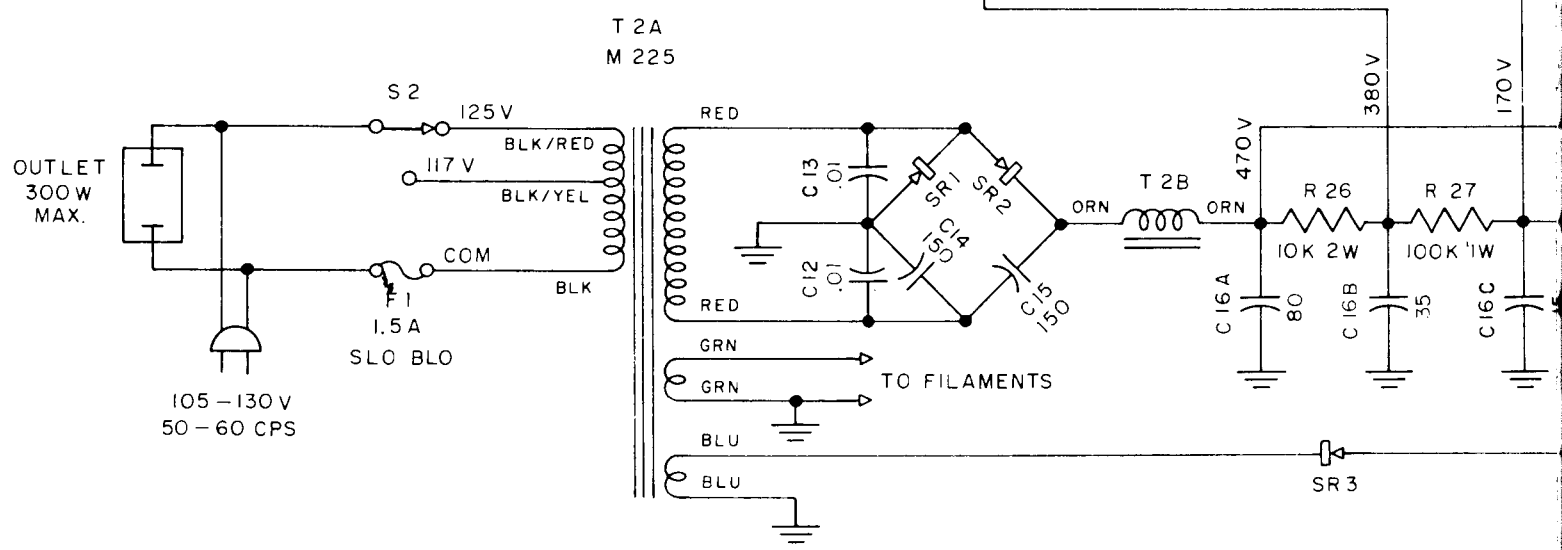


INPUT SENSITIVITY IS 0.5 VOLTS WITH GAIN CONTROL CW, BUT SWITCH NOT ACTUATED.  
 SENSITIVITY IS 2 VOLTS WITH GAIN CONTROL CW AND SWITCH ACTUATED.

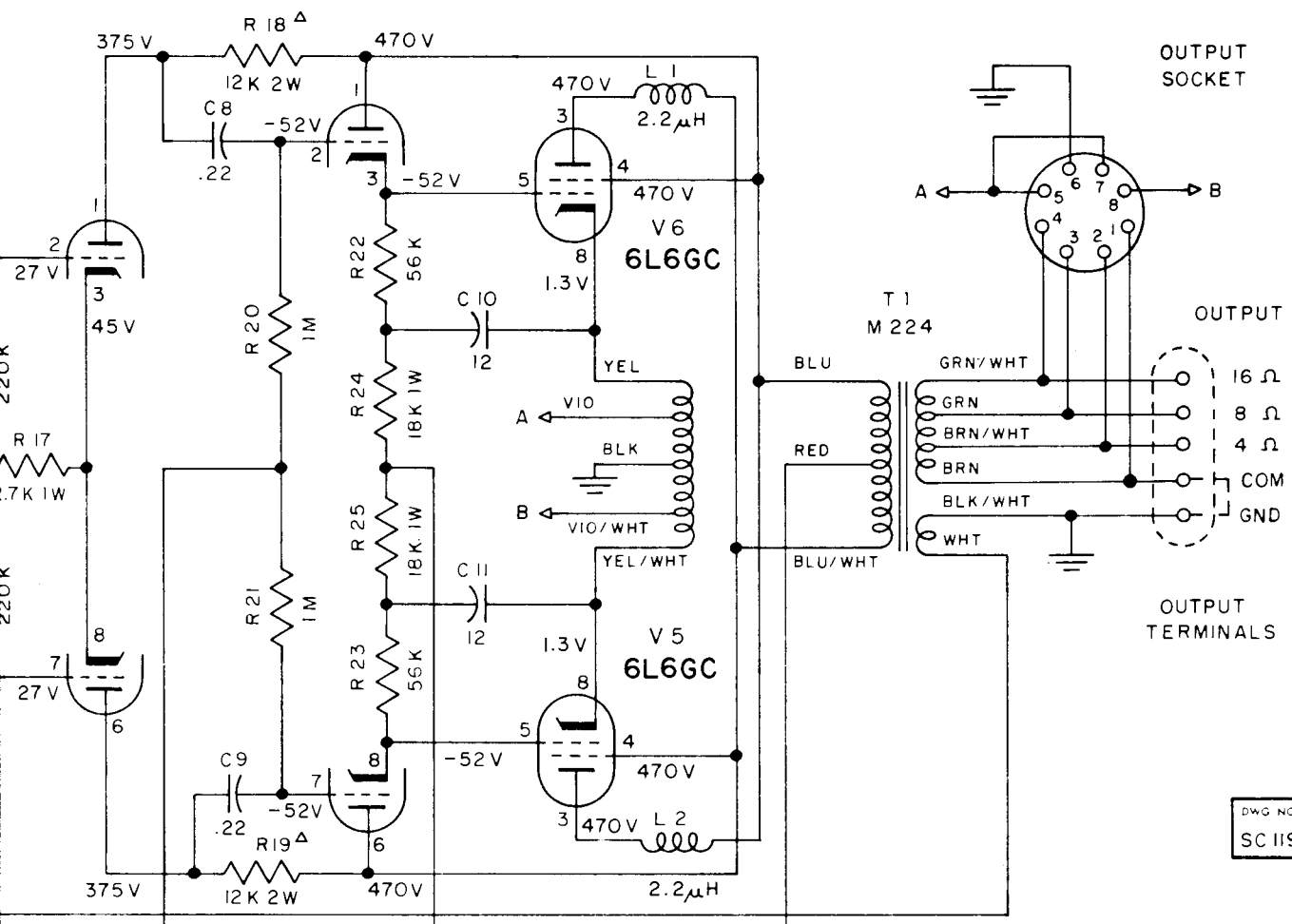


- \* 5% TOLERANCE RESISTORS
- Δ R18 AND R19 MATCHED WITHIN 1%
- SR1 AND SR2 = SILICON RECTIFIERS, 600 PIV
- SR3 = SELENIUM RECTIFIER, 400 PIV @ 65 MA

REV	C N	REVISION	DATE	BY	CHKD	APPD
A						
B						
C						

V 3  
12BH7

V 4  
12AX7



DWG NO  
SC 119-115

REV  
B

OUTPUT SOCKET CONNECTIONS

IMPEDANCE (OHMS)	CONNECT TO
4	1 AND 2
8	1 AND 3
16	1 AND 4
125	5 AND 6
150	6 AND 7
600 (BAL)	7 AND 8
VOLTAGE (VOLTS)	CONNECT TO
25	1 AND 4
70.7	5 AND 6

NOTE PIN 6 IS GROUND

RESISTORS  
MATCHED WITHIN 1%  
= SILICON RECTIFIERS, 600 PIV @ 500 MA  
UM RECTIFIER, 400 PIV @ 65 MA

MATERIAL	TIME	SCHEMATIC, MC 40		PART NO
FINISH		McIntosh LABORATORY INC 2 Chambers St. Bldg 1100 N. Y.		USED ON MC 40
TOLERANCES - Unless otherwise specified 1% Angles 1/4 fractions 1/325 Dia. holes	SCALE	DRN BY VG	DATE 2.23.62	DWG NO SC 119-115
		CHKD	APPD	REV B